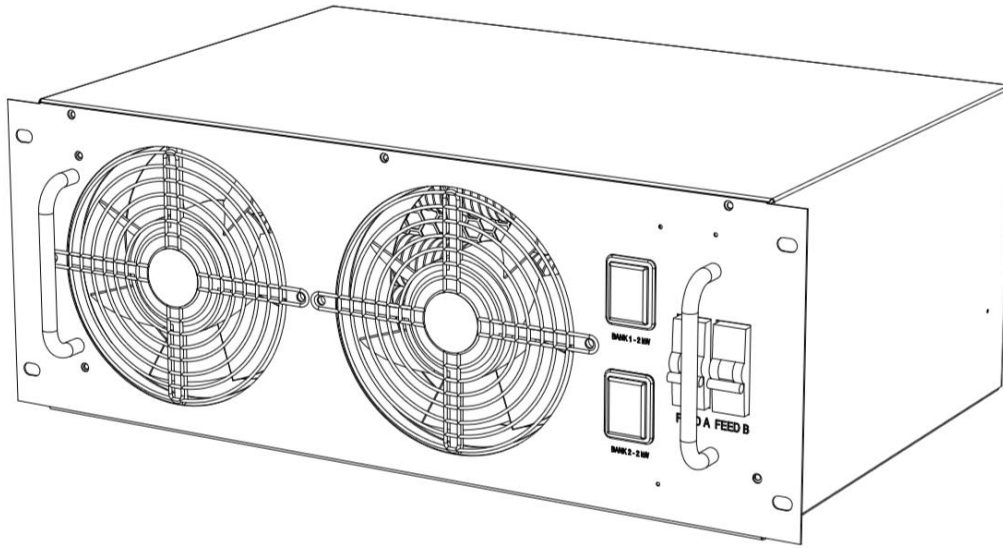


LOAD BANKS
AC and DC
2 and 4kW



Application - Commissioning & IST:

The Server Load Simulator is specifically designed to meet the requirements of Critical Facilities Operations Managers, Data Centre/IT Managers, Consultants and Contractors to simultaneously provide power and heat load simulation for commissioning and testing purposes.

The units are designed to be fitted to a standard 19" rack and impart the load into the hot aisle where it is needed for verification of the cooling and UPS system

The server simulators are available in 2Kw and 4kW models in 240VAC and 3kW in 24VDC

Features

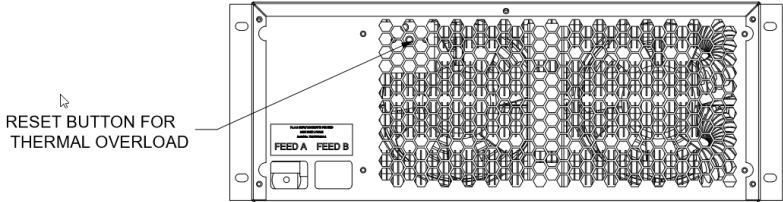
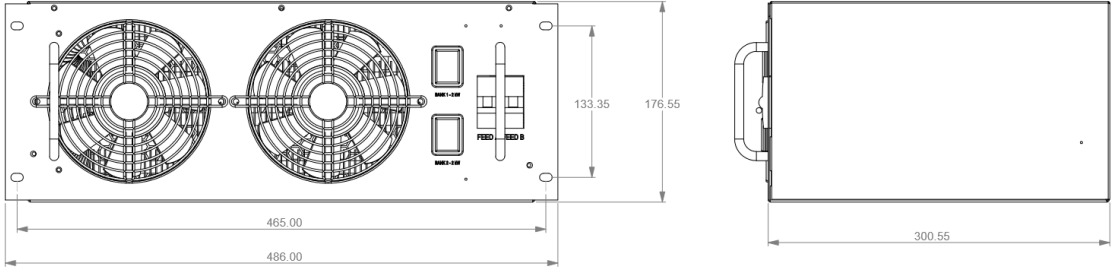
- 4 RU high
- IEC C19 plug connection
- Cage nuts and bolts supplied
- Available for sale or rental in minimum 1 week at a time – installation and commissioning available
- 12 months parts and labour warranty
- Thermal cut out for safety
- Blanking panels available if required – 1, 2,3 and 4RU

Technical Data

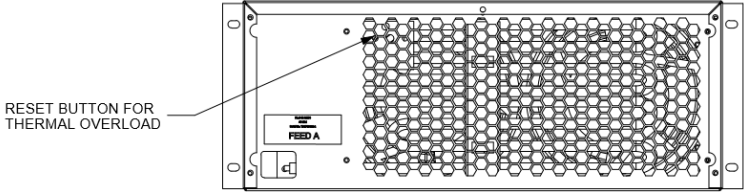
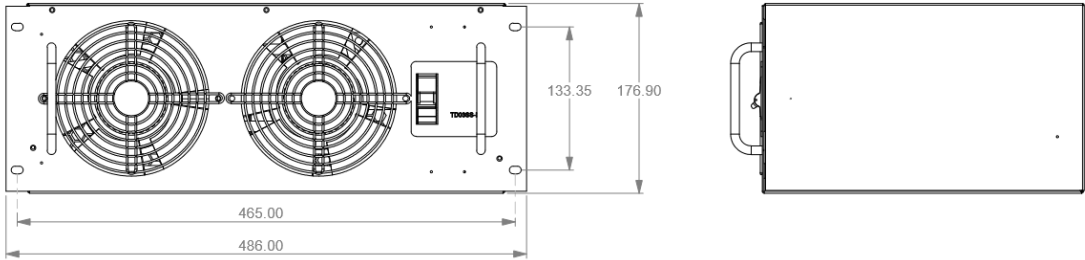
Model		TD02SS	TD04SS	TD03SS-DC
Unit FLA	A	9.1 at 220V Single feed	18 at 220V 2 Feeds 9Amps each	62.5 at 48VDC Single feed
Max power input	W	2000 2 Feeds – 1000W each	4000 2 feeds – 2000W each	3000 Single feed
Fan current draw	A	47W/ 0.21 A	47W/ 0.21A	17W / 0.35A
No. of electrical circuits		1	2	1
No. of fans		2	2	2
Scaling		None	2 and 4kW	None
Connection		IEC C16 Plug	IEC C19 Plug	Flying lead
Air flow direction		Front to rear	Front to rear	Front to rear

Dimensions

2kW and 4kW



3kW DC Model and 2kW AC model



thermal IQ

THERMAL IQ
2/8 GUNYA STREET
REGENTS PARK NSW 2143

+612 87010 8106

CONTACT

THERMAL IQ
2/8 GUNYA STREET
REGENTS PARK NSW 2143

+612 8710 8106